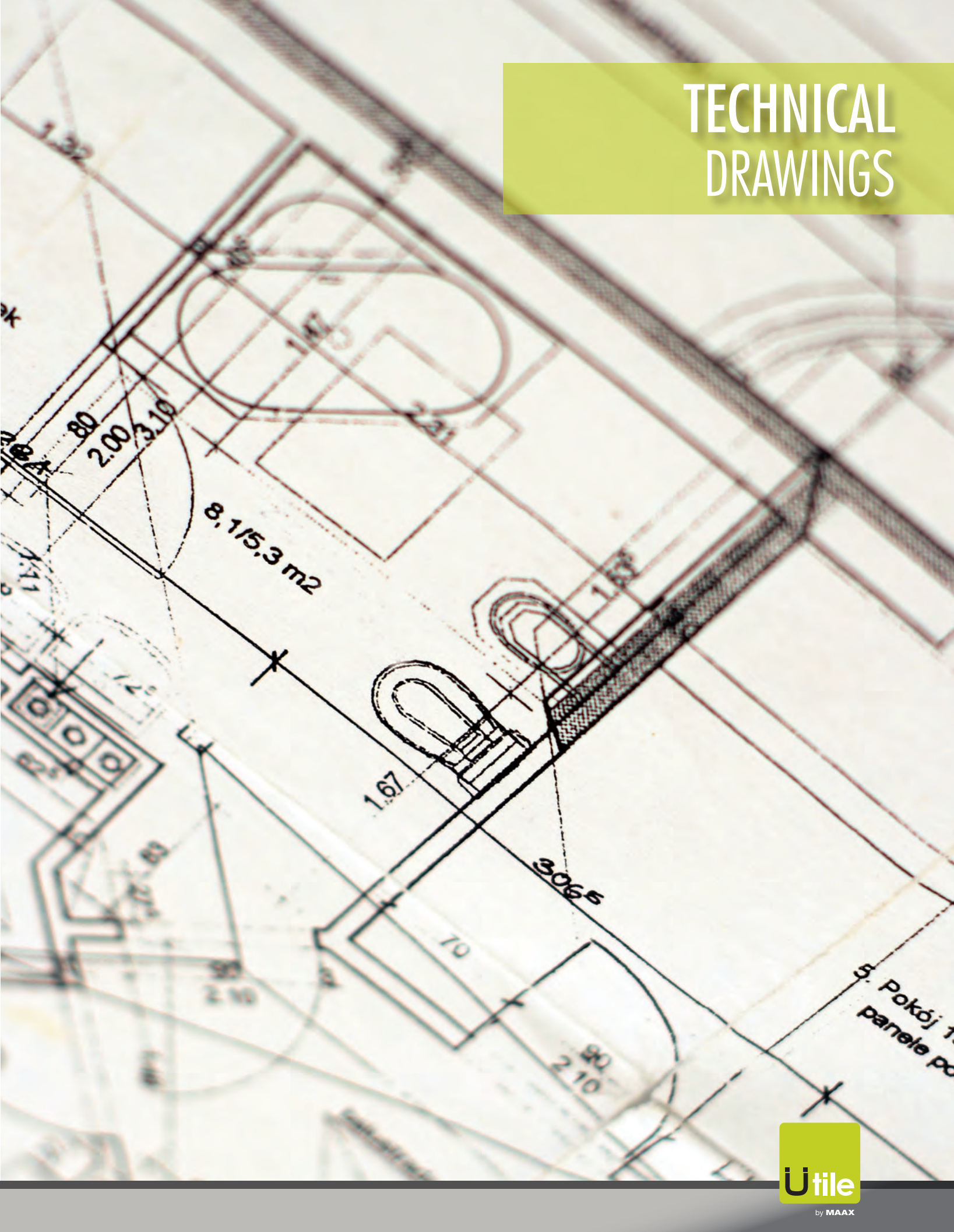


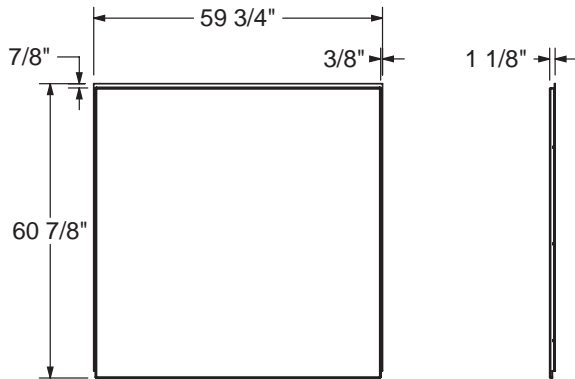
# TECHNICAL DRAWINGS



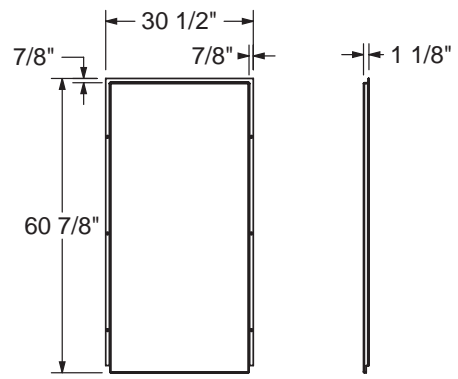
# Utile Tub Shower Kit

## Tub Shower 60" x 30"

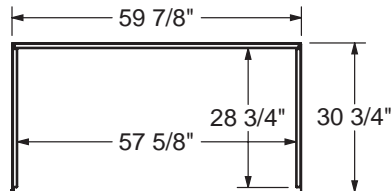
BACK WALL



SIDE WALL



TOP VIEW (ASSEMBLED)



This product is designed to be installed in a building that conforms with the requirements of the National Building Code of Canada 2005

All dimensions are approximate. Structure measurements must be verified against the unit to ensure proper fit.