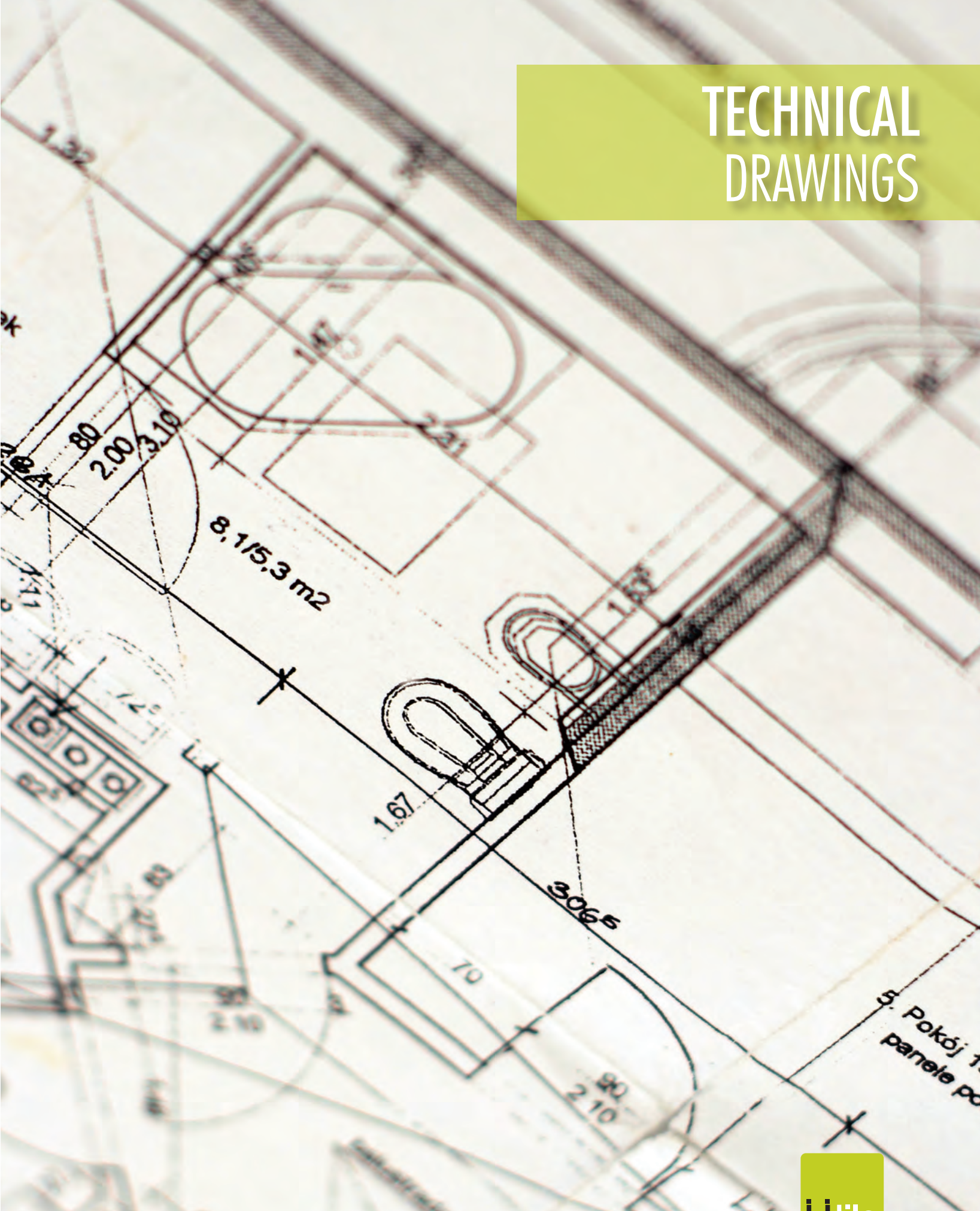


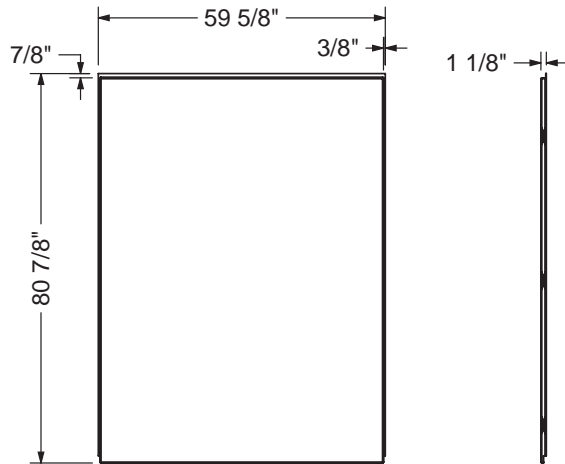
# TECHNICAL DRAWINGS



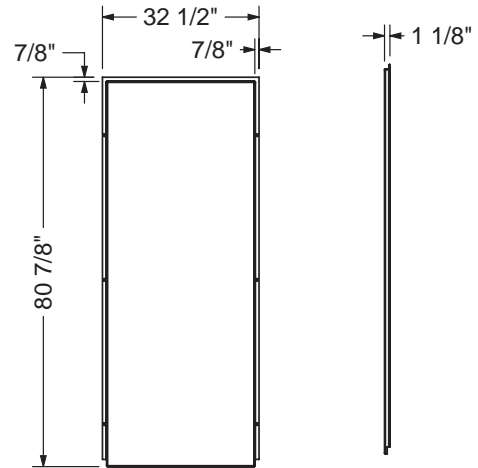
# Utile Shower Unit

## Shower 60" x 32"

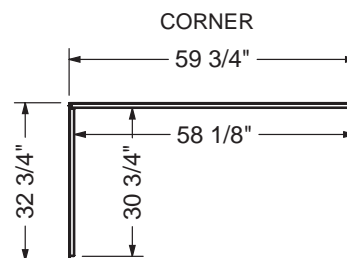
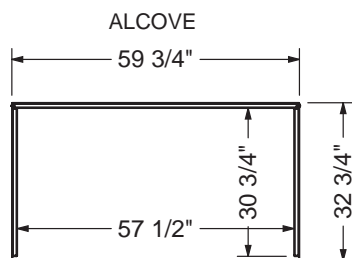
BACK WALL



SIDE WALL



TOP VIEW (ASSEMBLED)



This product is designed to be installed in a building that conforms with the requirements of the National Building Code of Canada 2005  
 All dimensions are approximate. Structure measurements must be verified against the unit to ensure proper fit.